

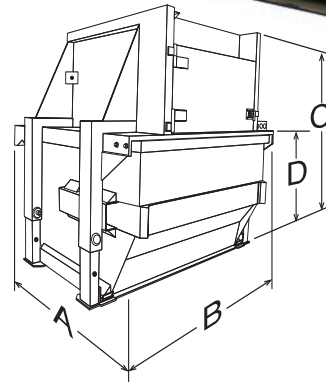
Vertical Compactor

Description

This smaller unit is designed specifically for customers with limited amounts of space or customers who generate weekly volumes of less than 150 cubic yards of uncompacted wet or dry/general waste materials. With a 48" high liquid retention level, these units are capable of holding wet restaurant to dry office waste. These units are serviced by front or rear loader collection vehicles.

Specs

- ▼ Clearly marked controls
- ▼ Safety door with security switches
- ▼ Safety decals
- ▼ Cleaned and painted
- ▼ ANSI Z245.2 compliance
- ▼ Equipment comes with a warranty
- ▼ Rentals come with full maintenance



	A	B	C	D	Total Weight
<i>For Front Loader Collection Trucks:</i>					
Front Feed 3 yd.	62 1/2"	96"	86 1/2"	46 3/4"	3464 lbs.
<i>Front or Rear Feed (Reversible/Adjustable VIP only):</i>					
4 yd.	83 1/4"	92 3/8"	85 1/4"	44 7/8"	4014 lbs.
6 yd.	83 1/4"	92 3/8"	96 7/8"	56 1/2"	4161 lbs.
8 yd.	83 1/4"	92 3/8"	115"	74 5/8"	4351 lbs.
Side Feed 6 yd.	76"	96"	101 3/4"	61 3/4"	4055 lbs.
Side Feed 8 yd.	76"	96"	119 3/4"	79 3/4"	4290 lbs.
<i>For Rear Loader Collection Trucks:</i>					
Front Feed 4 yd.	78 3/4"	96"	92 1/2"	52"	3827 lbs.
Rear Feed 4 yd.	90 1/2"	96"	92"	52"	3626 lbs.

Distributor:

Greenleaf Compaction, Inc.

4001 N. 3rd St., Suite 480

Phoenix, AZ. 85012

1-800-932-7718

www.GreenleafCompaction.com